

Full Rotor Parts Breakdown on page 3

PROPRIETARY AND CONFIDENTIAL

THE INFORMATION CONTAINED IN THIS DRAWING IS THE SOLE PROPERTY OF MTB MFG INC. ANY REPRODUCTION IN PART OR AS A WHOLE WITHOUT THE WRITTEN PERMISSION OF MTB MFG INC IS PROHIBITED.



Description

HGW13 Walk-behind Stump Grinder

Weight
1173.1006lbs.

DATE
9/08/2017

DWG. NO.
HGW13-A2

REV
A

DO NOT SCALE DRAWING

SCALE: 1:15

SHEET 1 OF 3

ITEM NO.	PART NUMBER	DESCRIPTION	QTY.
1	D003000	Main Body	1
2	D001212	1/4 Weld nut	7
3	D003048	Break Flap	1
4	D001122	P208 Pillow Block 1-1/2 (1.5" bearing)	1
5	D003002	Handle bar assembly	1
6	D001163	Spring Bolt zink 0.88 stroke	1
7	D001413-Z96503	Manual Tube 3-1/2 Short	1
8	D001230	Engine stop button	1
9	D001273	throttle cable	1
10	D001284	throttle bar	1
11	D001274	4" Spring	1
12	D003101	GX390 13HP Engine	1
13	B2036	Double Grove 3.75 Clutch Pulley	1
14	D001250	Double Grove 3.75 Pulley SH	1
15	D003137	65" 2-rib drive belt	1
16	D001251	Tapper Lock Hub	1
17	D003003	Lock Hub Key (S2057)	1
18	D001154	Walk behind stump grinder tire	2
19	D001152	480x8 2 Ply Snow Hog, 8x2.5 4C w3/4BB	1
20	D001153	BB .750 Unsealed	2
21	WB44-24	Back belt shield door	1
22	D001282	Tether safety strap to hold shields	1
23	WB44-44	Cover plate	1
24	WB44-83	Washer	1
25	D001269	Rubber grip	8
26	D001028	1 x 5" Flange Pin	1
27	WB44-1	Slider tightener plate	1
28	WB44-4	Bolt on cover plate	1
29	D003096	spring	1
30	HFBOLT 0.25-20x1.25x0.75-N	HFBOLT .5-20x4x1.25-N	1
31	D003097	Brake Handle Ass and cable	1
32	D003099	Slider tighener plate	1
33	WB44-33	Spring adjustment plate	1
34	D003305	Rubber debris flap - short side	1
35	D003304	Rubber debris flap - Long side	1
36	D003306	Snap Ring for Sunfab motor SAE-C	2
37	380- washer	3/8" washer	1

PROPRIETARY AND CONFIDENTIAL

THE INFORMATION CONTAINED IN THIS DRAWING IS THE SOLE PROPERTY OF MTB MFG INC. ANY REPRODUCTION IN PART OR AS A WHOLE WITHOUT THE WRITTEN PERMISSION OF MTB MFG INC IS PROHIBITED.



Description

Weight lbs.

DATE

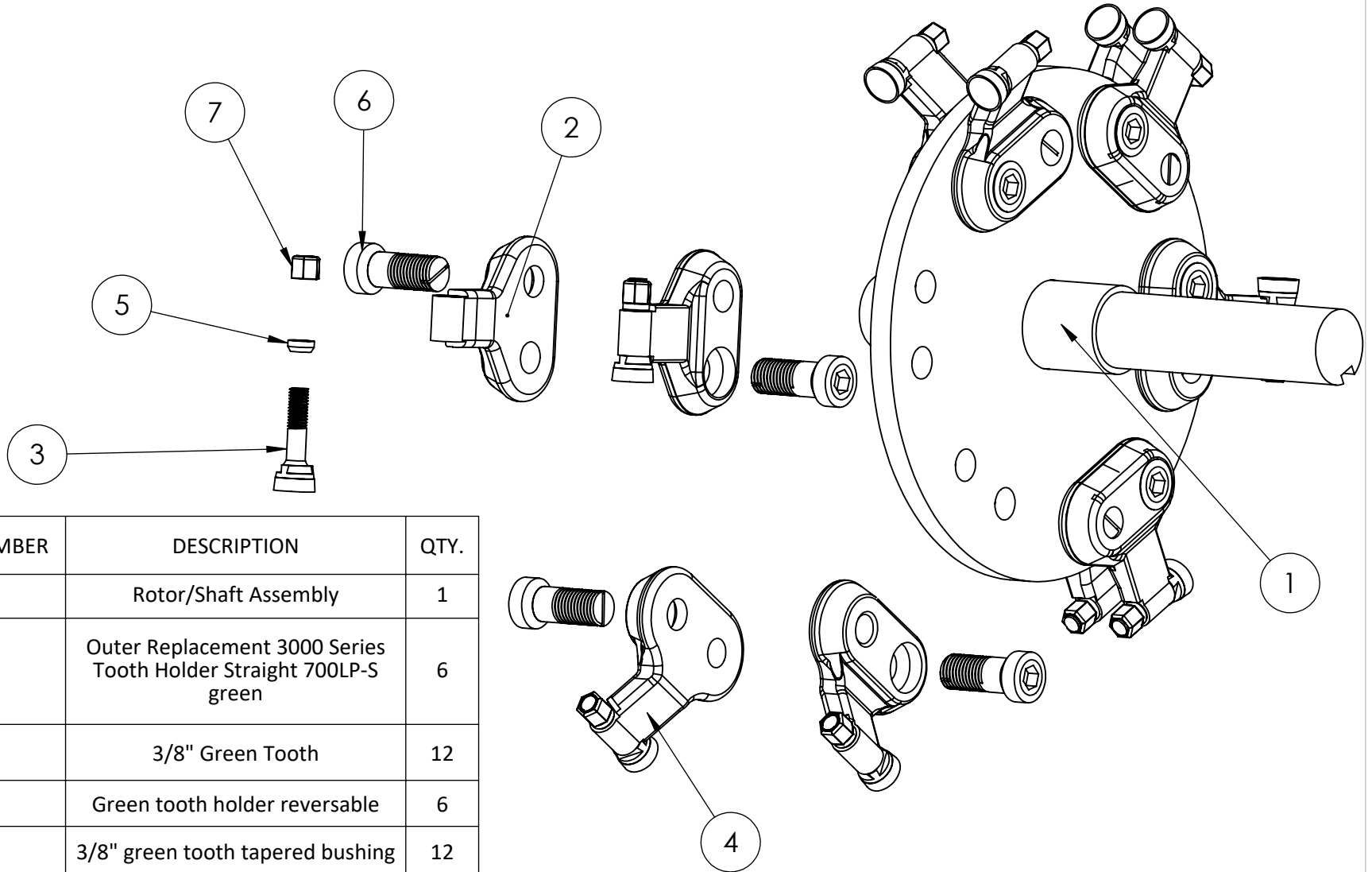
DWG. NO.

REV
A

DO NOT SCALE DRAWING

SCALE: 1:50

SHEET 2 OF 3



ITEM NO.	PART NUMBER	DESCRIPTION	QTY.
1	D003001	Rotor/Shaft Assembly	1
2	D002741	Outer Replacement 3000 Series Tooth Holder Straight 700LP-S green	6
3	G3000	3/8" Green Tooth	12
4	D001679	Green tooth holder reversable	6
5	D001678	3/8" green tooth tapered bushing	12
6	D001775	5/8 Bolt for Green Tooth Holder D001679	12
7	D001625	3/8" Lock Nut	12

PROPRIETARY AND CONFIDENTIAL
 THE INFORMATION CONTAINED IN THIS DRAWING IS THE SOLE PROPERTY OF MTB MFG INC. ANY REPRODUCTION IN PART OR AS A WHOLE WITHOUT THE WRITTEN PERMISSION OF MTB MFG INC IS PROHIBITED.



Description

Weight
22.9769lbs.

DATE
9/08/2017

DWG. NO.
D001110

REV
A

DO NOT SCALE DRAWING

SCALE: 1:10

SHEET 3 OF 3